

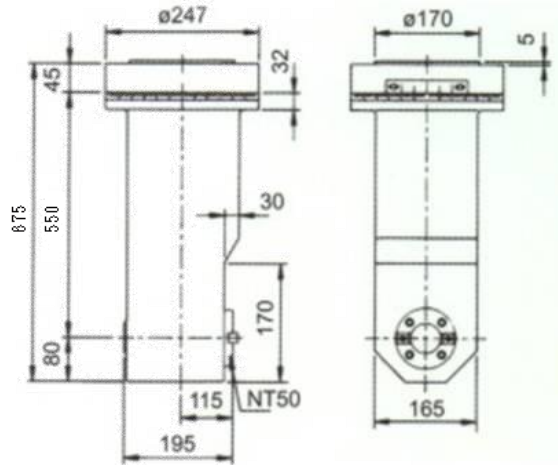
IK-D90



SPECIFICATION

MODEL	Unit	IK-D90
Deep Head		
Spindle Bore Diameter		NT50
Speed Ratio		1:1
Max Diameter of Cutter	mm	150
Max Speed	rpm	800/2000
Place of Origin	Taiwan	
Weight (Approximate)	kg	98
Warranty	1 year (non artificial mistake)	

※We reserve the right to modify the design and specifications without notice in advance.



IK-D90-L



SPECIFICATION

MODEL	Unit	IK-D90-L
Deep Head		
Spindle Bore Diameter		NT50
Speed Ratio		1:1
Max Diameter of Cutter	mm	150
Max Speed	rpm	800/2000
Place of Origin	Taiwan	
Weight (Approximate)	kg	142
Warranty	1 year (non artificial mistake)	

※We reserve the right to modify the design and specifications without notice in advance.