

IK-N90+N95 (Hydraulic Tool Clamp)



SPECIFICATION

MODEL	Unit	IK-N90
Angular Head		
Spindle Bore Diameter		NT50
Speed Ratio		1:1
Max Diameter of Cutter	mm	150
Max Speed	rpm	2000
Oil Type		Shell Spirax G Oil ISO68
MODEL	Unit	IK-N95
Position Chainring		
Spindle Nose		90/191mm(with spindle nose)
Place of Origin		Taiwan
Weight (Approximate)	kg	93
Warranty		1 year (non artificial mistake)

※We reserve the right to modify the design and specifications without notice in advance.

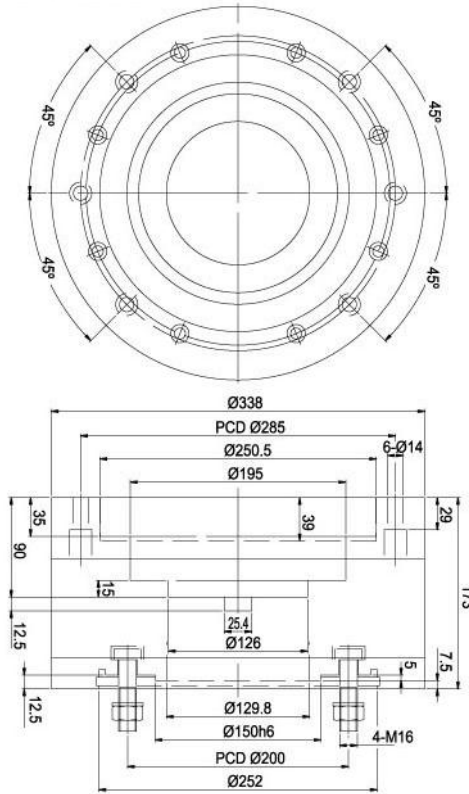


使用範例 USAGE EXAMPLES



IK-N90+N95專利已申請通過

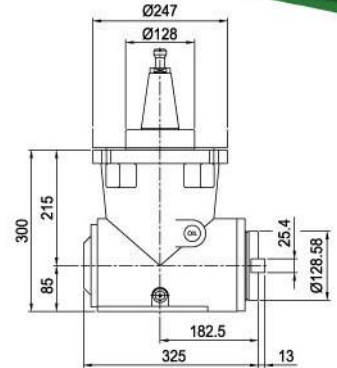
IK-N95



註：配合短鼻端90mm
Note: With short spindle nose 90mm

IK-N90

90° 直角銑頭
Angular Head



型號	Model no.	IK-N90
品名	Product name	90度頭2000RPM 90 degree head 2,000rpm
主軸	Spindle	NT 50
速比	Ratio	1:1
齒輪油	Oil type	Shell Spirax G Oil ISO68