

CNC IK-451011





SPECIFICATION

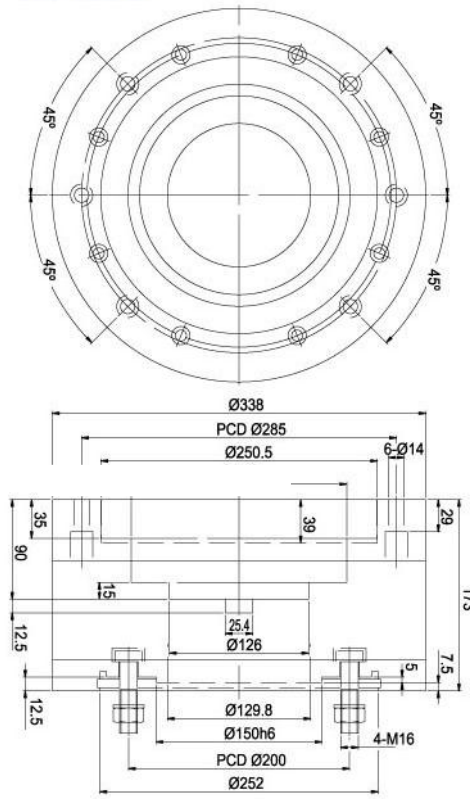
MODEL	Unit	IK-451011
<u>Working Range</u>		
Z-axis Traverse	mm	1000
Spindle Nose Length	mm	90 / 190
Z-axis Ball Screw Specification	mm	Φ50 / P10
Servo Motor Specification	Kw/Hp	7 / 9.4
<u>Spindle</u>		
Tapered Bore Diameter		ISO 50
Spindle Motor	Kw/Hp	18.5 / 25 (22 / 30)
Spindle Speed (2-Step Gear Type)	rpm	6000
Weight (Approximate)	kg	2,300
<u>STANDARD ACCESSORIES</u>		
CNC Gear Plano Milling Head (6000RPM/BT50)		●
Ladder Slide		●
Z-axis Draw bar		●
Z-axis Counterweight Cylinder		●
Z-axis Wiper		●
Type of Guide	Y、Z axis Square Guide-way	
Lock Knife Block (Include Lock/Unlock Sensor)		●
Shift Cylinder (Include High/Low Sensor)		●
Spindle Positioning Sensor		●
Splash Guard		●
Oil Pressure Pipe		●
<u>OPTIONAL ACCESSORIES (APOLEGAMY)</u>		
IK-N90 (Milling Head Accessory)		○
IK-N90+N95(Milling Head Accessory)		○
Place of Origin	Taiwan	
Warranty	1 year (non artificial mistake)	
<p>Note: This product does not contain a servo motor (Z-axis motor and spindle motor). Recommended specifications §Spindle servo motor (18.5Kw / 25Hp or 22Kw / 30Hp) §Z-axis servo motor (7Kw / 9.4Hp)</p> <p>※Please provide a servo motor sizes (Z-axis motor and spindle motor).</p>		

※We reserve the right to modify the design and specifications without notice in advance.



IK-N90+N95 Application for Patent

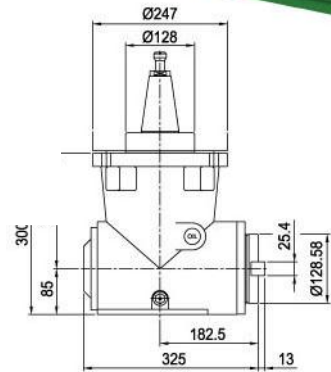
IK-N95



Note: With short spindle nose 90mm

IK-N90

Angular Head



Model no.	IK-N90
Product name	90度頭2000RPM 90 degree head 2,000rpm
Spindle	NT 50
Ratio	1:1
Oil type	Shell Spirax G Oil ISO68